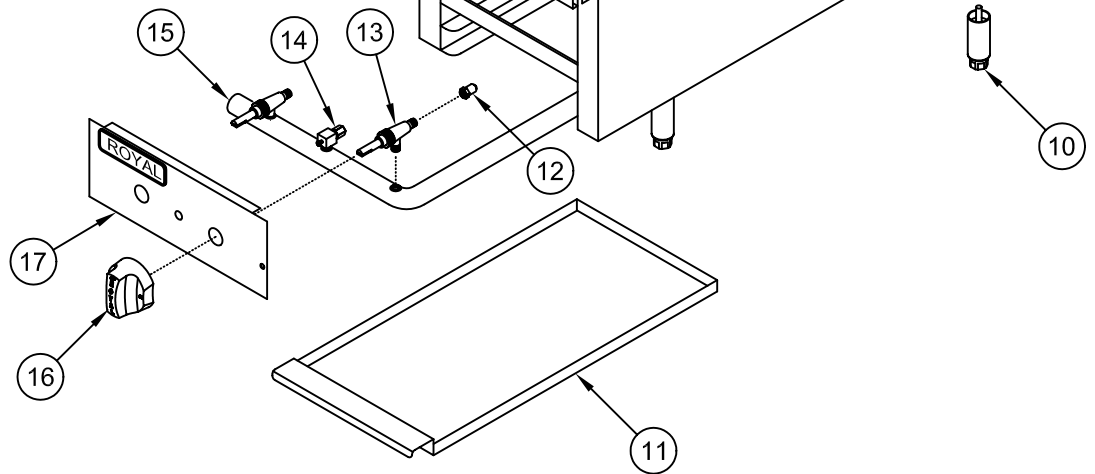
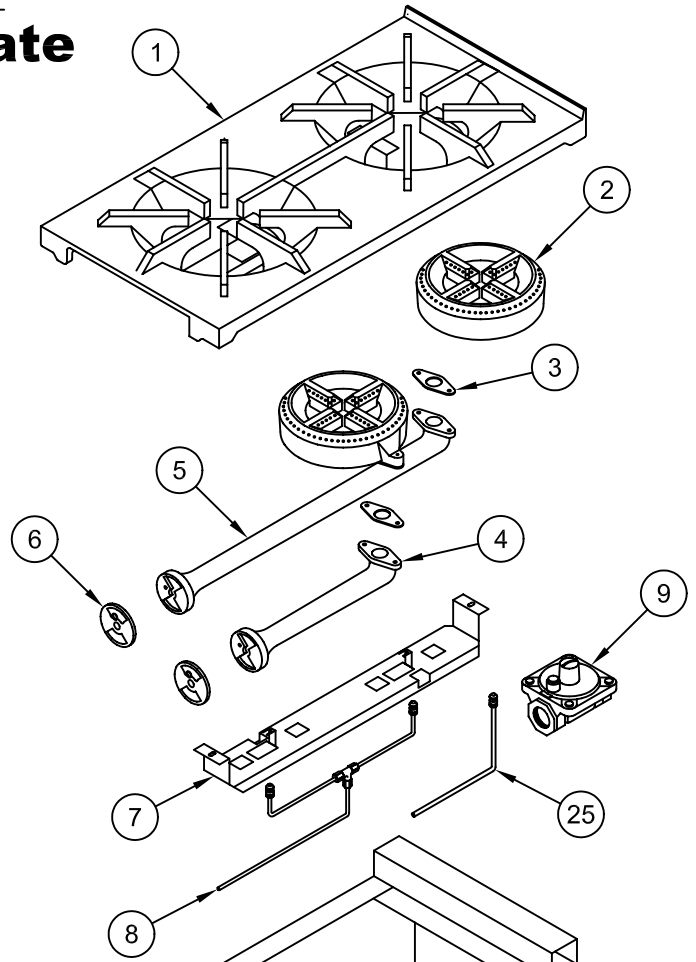
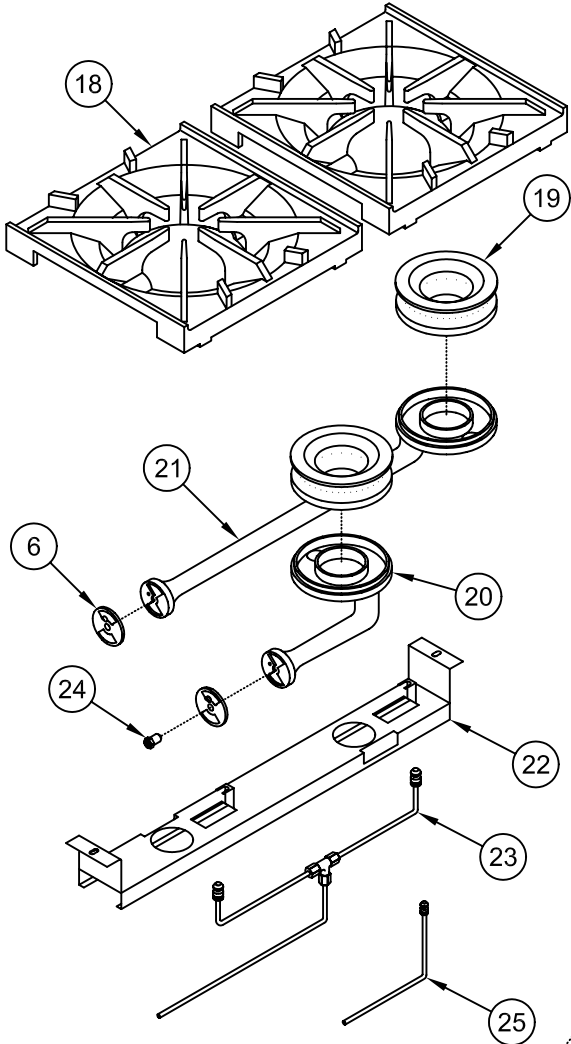


RHP Hot Plate

LIFT OFF BURNER HEAD



BURNER GASKET



3

AIR SHUTTER



6

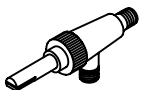
ORIFICE HOOD



12

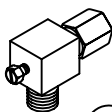
24

GAS VALVE



13

90° PILOT VALVE



14

ON/OFF KNOB



16

RHP

Hot Plate

ITEM NO.	PART NO.	DESCRIPTION
1	1101	12" x 24" Top grate (cast iron)
2	1104	Open burner (head only)
3	1105	Open burner gasket & screw set
4	1106	6" Front venturi (cast iron)
5	1107	18" Rear venturi (cast iron)
6	1108	Air shutter (mixer)
7	29601 29602	Burner hanger (single burner) Burner hanger (two burners)
8	2212	Pilot assembly w/ferrule and compression nut (double burner)
9	1618 1619	Gas pressure regulator (natural gas) Gas pressure regulator (propane Gas)
10	3604	4" Adjustable leg
11	29525 29535 29545 29555 29565 29575	RHP-12-1 Crumb tray RHP-12-2 Crumb tray RHP-24-2 Crumb tray RHP-24-4 Crumb tray RHP-36-6 Crumb tray RHP-48-8 Crumb tray
12	1121-42 1122-53	Orifice hood #42 Open burner natural gas, 26,000 BTU Orifice hood #53 Open burner propane gas, 26,000 BTU
13	1628	Gas valve (brass) w/out orifice
14	1625	1/8" NPT x 3/16" CC 90° Adjustable single pilot valve (brass)
15	3807 3808 3809 3810 3811 3812	RHP-12-1 Manifold Pipe RHP-12-2 Manifold Pipe RHP-24-2 Manifold Pipe RHP-24-4 Manifold Pipe RHP-36-6 Manifold Pipe RHP-48-8 Manifold Pipe
16	3102	Blue knob – flat side down
17	29521 29531 29541 29551 29561 29571	RHP-12-1 Valve Cover RHP-12-2 Valve Cover RHP-24-2 Valve Cover RHP-24-4 Valve Cover RHP-36-6 Valve Cover RHP-48-8 Valve Cover

LIFT OFF BURNERS

18	1100	12" x 12" Top grate (cast iron)
19	1710	Open burner – Lift off burner cap
20	1711	6" Front venturi – Lift off burner base(cast iron)
21	1712	18" Rear venturi – Lift off burner base (cast iron)
22	29664 30087	Burner hanger – Lift off burner (single) Burner hanger – Lift off burners (double)
23	1709	Pilot assembly w/ferrule and compression nut (double burner)
24	1121-39 1122-52	Orifice hood # 39 Lift Off Top burner natural gas 30,000 BTU Orifice hood # 52 Lift Off Top Burner propane gas 30,000 BTU
25	1110	Pilot assembly w/ferrule and compression nut (single burner)